



## VECTOR TORQUE & ANGLE PUMP

The HYTORC VECTOR TORQUE & ANGLE module makes the world's fastest fully-automatic hydraulic power system more versatile than ever. With its 4-stage high-flow design and gauge-free operation, simply select the HYTORC tool in use and input the desired angle; a single trigger pull will accurately and reliably execute precise Turn-of-Nut tightening. By eliminating the potential for human error, the pump greatly increases productivity; the available documentation feature allows complete job data capture for the entire bolting operation.

### TORQUE & ANGLE



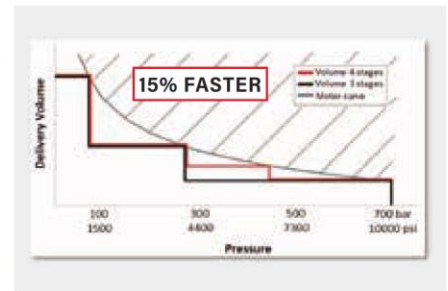
The VECTOR's modular design allows it to be upgraded to advanced Torque-and-Angle operation, providing accurate real-time degree of rotation measurement, taking the guess work out of the job.

### BOLTING DOCUMENTATION



The VECTOR pump is capable of being upgraded with a documentation feature that allows all bolting data to be recorded. Easily transfer the data via USB to a computer. A report is created and five file types (.txt, .html, .csv, .json, .rpe) are sent as a single package. Keep accurate records for better quality assurance.

### FAST 4-STAGE PUMP DESIGN

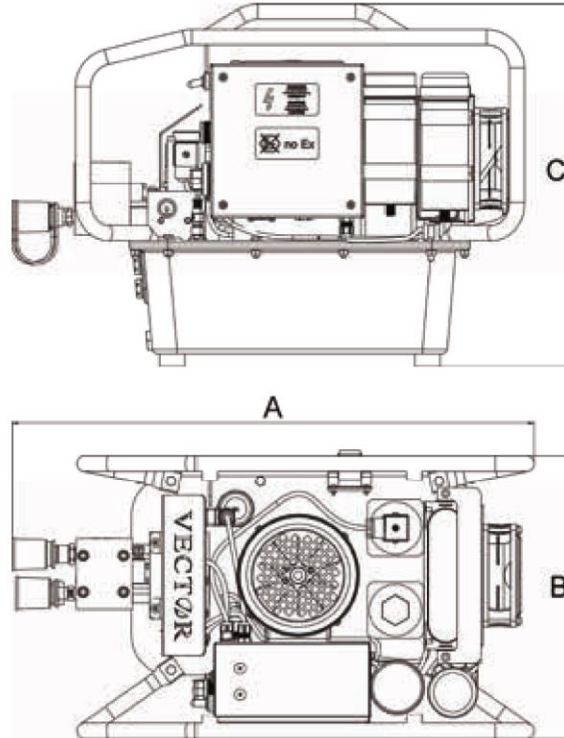


By adding a 4th pressure stage in the 4,000 to 7,000 psi range the VECTOR pump increases the flow of oil to the tool. This allows the tool to cycle faster, resulting in a 15% time savings over old 3-stage pumps.

713-453-6677

**HYTORC**  
-----TEXAS-----

HYTORCTEXAS.COM



LEGEND: A = 21.0" (520 MM) B = 12.8" (326 MM) C = 16.8" (426 MM)

**PUMP SPECIFICATIONS AND FEATURES**

<b>Power</b>	<b>115V:</b> 1Ph 90-125 / 60Hz <b>230V:</b> 1Ph 200-230V / 50+60Hz <b>400V:</b> 3Ph 400-460		
<b>Data Recording</b>	Optional		
<b>Gauge</b>	Digital		
<b>Reservoir Capacity</b>	2 gals / 7.5 l		
<b>Stages</b>	4		
<b>Weight</b>	79 lbs. / 36 kg		
<b>15' Remote Control:</b> Yes	<b>Oil Cooler:</b> Yes		
<b>Ports</b>	1		
<b>Maximum Oil Flow Rate</b> 1,000 PSI 70 bar	<b>HY-V115 (60 Hz)</b> 610 cu.in./min. 10.0 l/min.	<b>HY-V230 (50Hz)</b> 549 cu.in./min. 9.0 l/min.	<b>HY-V400</b> 549 cu.in./min. 9.0 l/min.
<b>Middle Oil Flow Rate</b> 3,900 PSI 270 bar	<b>60 Hz</b> 171 cu.in./min. 2.8 l/min.	<b>50 Hz</b> 147 cu.in./min. 2.4 l/min.	<b>3Ph 400-460</b> 147 cu.in./min. 2.4 l/min.
<b>Middle + Oil Flow Rate</b> 6,300 PSI 440 bar	<b>60 Hz</b> 110 cu.in./min. 1.8 l/min.	<b>50 Hz</b> 85 cu.in./min. 1.4 l/min.	<b>3Ph 400-460</b> 85 cu.in./min. 1.4 l/min.
<b>High Oil Flow Rate</b> 10,000 PSI 700 bar	<b>60 Hz</b> 67 cu.in./min. 1.1 l/min.	<b>50 Hz</b> 55 cu.in./min. 0.9 l/min.	<b>3Ph 400-460</b> 55 cu.in./min. 0.9 l/min.

**COMPLETE KIT CONTENTS**

- VECTOR Pump
- 15' Twin Line Hose
- 2 gallons / 7.5 l of oil

HYTORC owns all content, copyrights, trademarks and patents in this document. © 2022 HYTORC. Any unauthorized use or distribution of any material from this document is strictly prohibited.



Office: 12420 TEXACO RD.  
HOUSTON, TX 77013

Email: sales@hytorctexas.com

Phone: 713-453-6677

Domain: hytorctexas.com