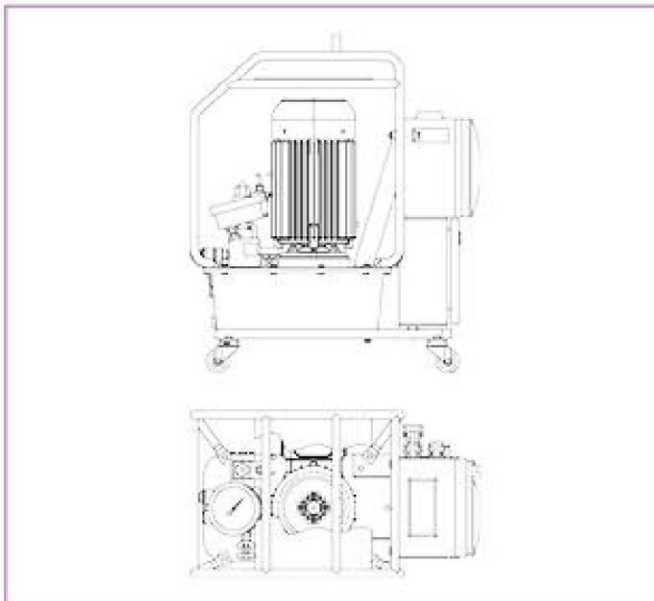




HY-EX 3-STAGE - EXPLOSION-PROTECTED ELECTRIC PUMPS

HYTORC HY-EX 3-STAGE Electric Pumps are the backbone of an intrinsically safe bolting system. The pump is licensed to EU-Directive 2014/34/EU (Atex 100a) class: EX II 2G Ex h IIB T3 Gb. These pumps are equipped with a calibrated gauge with certificate and a 15-ft (5m) remote control. An optional 4-tool adapter is also available.



PUMP SPECIFICATIONS AND FEATURES

Power	115v (20 Amp), 230v (9 Amp), 400v (2.5 Amp)	
Gauge	0-10 k PSI (+/-1% Accuracy)	
Reservoir Capacity	2 gals. / 7.5 l	
Stages	3	
Weight	112 lbs / 51 kg - without oil (400v) 157 lbs / 71 kg - without oil (115/230v)	
Maximum Oil Flow Rate	50 Hz	60 Hz
1,000 PSI	510 cu.in./min.	620 cu.in./min.
70 bar	8,0 l/min.	10 l/min.
Middle Oil Flow Rate	50 Hz	60 Hz
4,000 PSI	100 cu.in./min.	120 cu.in./min.
300 bar	1,6 l/min.	2,0 l/min.
High Oil Flow Rate	50 Hz	60 Hz
10,000 PSI	55 cu.in./min.	65 cu.in./min.
700 bar	0,9 l/min.	1,1 l/min.
Oil Cooler	No	
ATEX Certification Available	Yes	